

CX300

- **Protection System**
- **Analysis and Diagnosis**
- **Automatic Data Collection**



***A complete vibration & temperature
monitoring and protection system
in a single enclosure***

CX MODULE



CX-300 is a complete vibration & temperature monitoring and protection system into a single enclosure.

CX-300 is a sophisticated multichannel unit, which allows simultaneous measurement, visualization, and control of numerous channels.

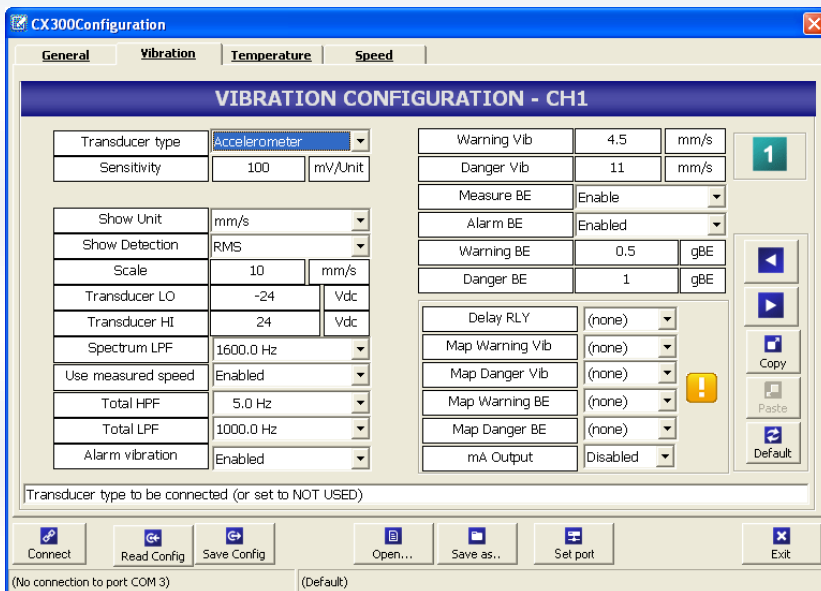
This device can operate autonomously or together with external PC software applications.

- Compact multichannel vibration and temperature data acquisition system
- High frequency range and resolution
- Four vibration input channels, suitable for ICP Accelerometers, velocity and displacement sensors
- One speed measurement channel
- Fast acquisition time, high sampling rate
- Four temperature input channels for PT100 RTD (2 or 3-wires)
- Bearing fault estimator(BE)
- Low power consumption
- Two galvanic isolated digital input
- Protection system(CX-300) with four software programmable output relays
- Local LCD Display (3.5" TFT, 320x240 pixels, touchscreen navigation)
- 4 to 20 mA output for all vibration channels
- Communication: 1 x USB Device, 1 x Ethernet 100Mb

CX MODULE CONFIGURATION

From the external PC Software

Using CX300Config application, CX-300 Module can be completely programmed, to meet the application requirements.

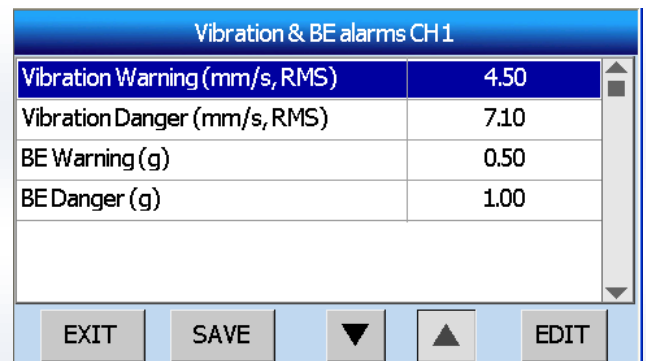


The module configuration can be saved in a file and then transferred into another module.

From the local display

From the local display the general configuration can be done and the most used settings, as well.

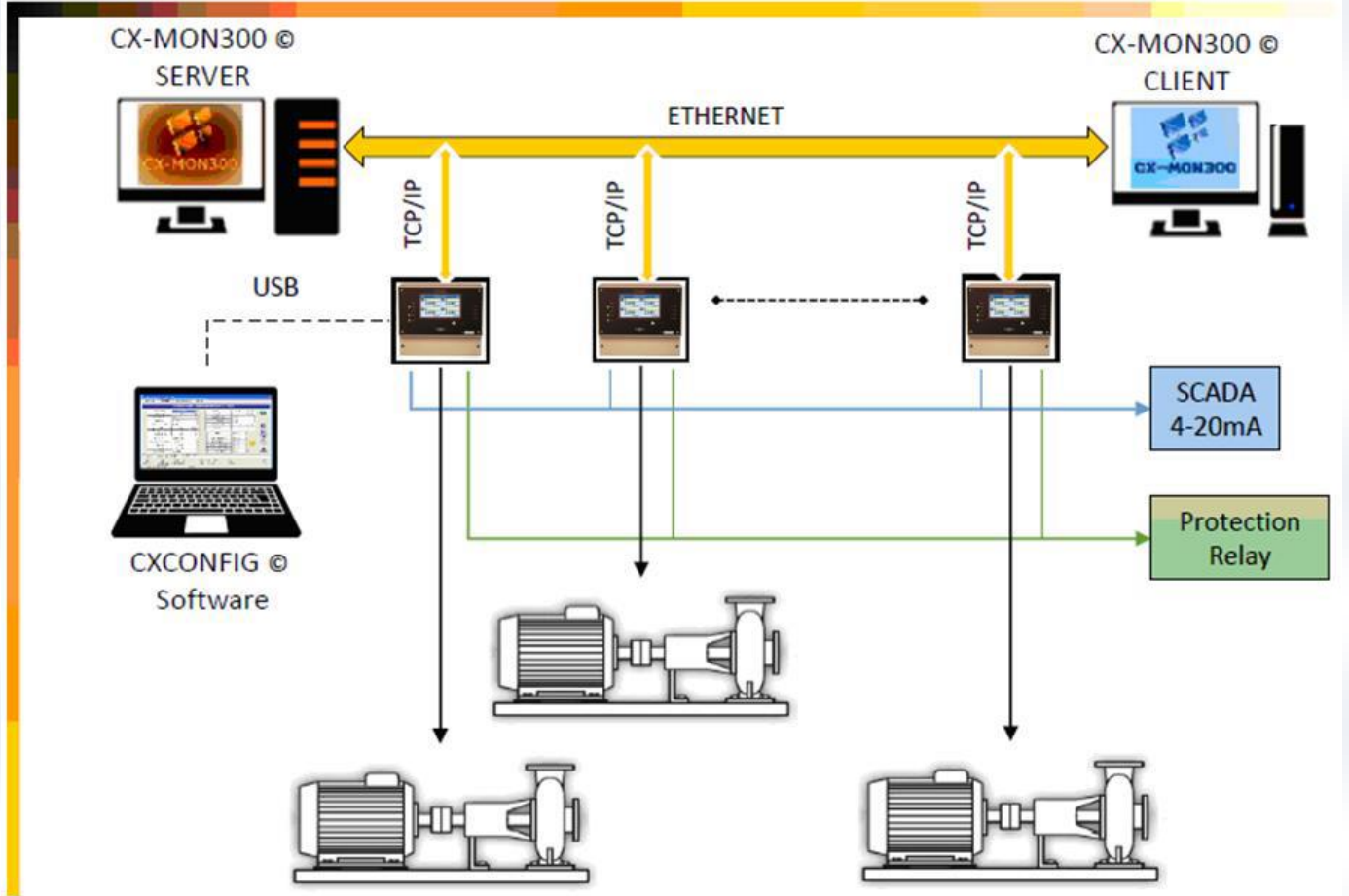
Both CX-300 and Display Unit firmware can be easily upgraded.



The display has a resistive touchscreen display.

Using an external Flash Drive, the configuration file can be directly transferred in CX-300 Module.

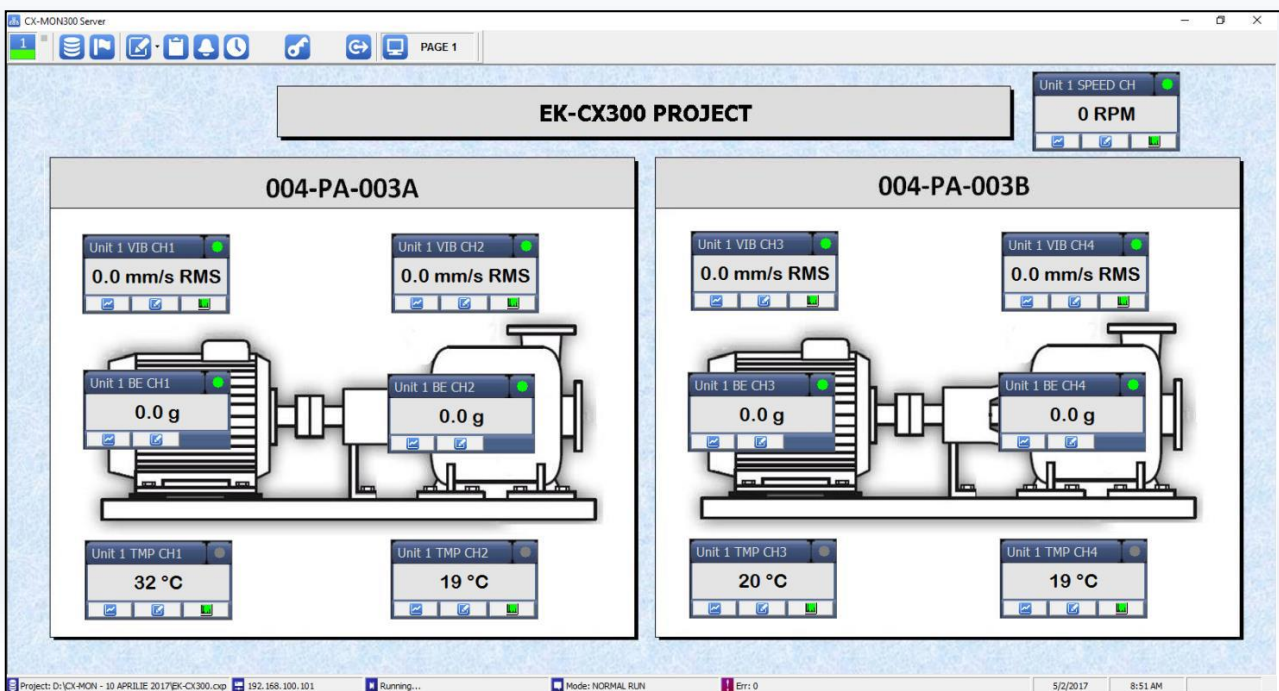
Typical application



Applications: Pumps, Fans, Cooling tower, Electrical motors, Air Compressors, Cruncher Small Reciprocating Compressors, Small Hydro turbines, Centrifuges and other equipment assets required monitoring and protecting.

CX-MON300 VISUALISATION APPLICATION

All the measurements can be visualized as "Tags", trend or archive trend.



For vibration measurements, spectra and time-signals can be shown live. All the measurements can be transferred into a CXSpectra© database for a later diagnosis. Up to ten modules can be connected to a single PC, using standard Ethernet network.

MaintTech CX-300

Power supply voltage	18V to +36V DC (Typically +24V \pm 10%)	Communication Interface	
Power consumption	6 VA typical; 10 VA max.	For measurements	1 x Ethernet 100 MB (RJ-45)
External Fuse (required)	T-type, max. 2 A	For configuration	1 x USB Device (for configuration and firmware upgrade)
Vibration inputs	Accelerometer, Velocity and Displacement Sensors	Protection	IP 65 (with transparent door)
Channels	4	Working temperature	-10°C to +50°C
Max. frequency	6400 Hz (configurable)	Storage temperature	-20°C to +70°C
Amplitude range	20 V p-p	Humidity	5 to 90% no condensation
Spectrum lines	Up to 6400	Altitude	Up to 2000 meters above sea level
Data acquisition	12 channels simultaneous (three gains for each input, no auto-ranging required)	Enclosure	Safety of Information Technology Equipment EN 60950 RoHS directive 2002/95/EC
A/D resolution	16 bits	Flammability Rating	Complies with UL 508
Spectrum resolution	Selectable (0.5 or 1 Hz)	UV resistance	Complies with UL 508
Total value HPF	Selectable (none, 5 or 10 Hz)	Case style	DIN-Rail
Total value LPF	Selectable (from 200+6400 Hz)	Case material	Polycarbonate
Accelerometers supply	4 mA @ 24 V dc	Case dimensions(mm):	213 x 185 x 120
Bearing estimator	Bearing Energy Coefficient(BE)	Display (Optional)	3.5" graphic TFT, 16-bit colour, 320 x 240 pixels, touchscreen navigation
BE HPF	500 Hz	EMC	PN-EN 61326-1
Temperature inputs	4 X PT100 (2 or 3 wires)	Safety requirements	According to: PN-EN 61010-1 Installation category: II Pollution degree: 2 Voltage in relation to the ground: 300V AC Isolation resistance: >20M Ω Isolation strength between power supply and input/output terminal: 1min. @ 2300V
Channels	4		
Temperature range	Selectable (Min. -50°C, Max. 300 °C)		
Speed input	1		
Speed range	1 Hz to 5 KHz		
Digital inputs	2 (Start-up and Relay Reset), optocoupled		
Power consumption	7,5 mA / 24V		
Isolation	500V DC		
Outputs			
Analog	4 X 4-20 mA (max. load 600 Ω)		
Digital	4 relays		
Max. load per relay	5A, cos j = 1 (resistive load)		
Max. voltage switched by relay	250V AC		
Isolation strength between relays	1 min. @ 630V AC		



MaintTech
Norrköping
Sweden

phone: +46 707 732274
e-mail: mainttech@live.se
website: mainttech.se

Distributor:

